



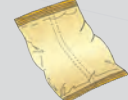
A COMPACT AND VERSATILE BAGGER AT AN AFFORDABLE PRICE.



BAG STYLES:



FLAT-BOTTOM



PILLOW STYLE



EUROSLOT/
HOLE PUNCH



GUSSETED

MAXIMUM SPEED:

Up to **50** cycles
per minute

MAXIMUM BAG SIZE:

260 mm x 400 mm
(10.24" x 15.75")

MINIMUM BAG SIZE:

50 mm x 60 mm
(1.97" x 2.36")

VIKING MASEK VFFS

E250

E400

ES400

M250

M250 BiB

M400

M500

M650

S250

S400

SACHET SA300-SA500

SIGMA

STICK PACK ST200-ST800

VELOCITY

FEATURES:

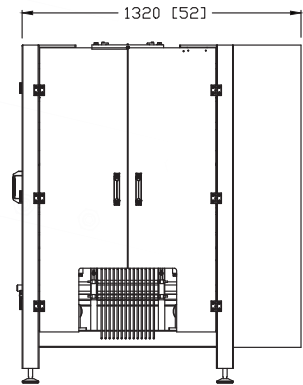
- Robust, stainless steel, open-design frame
- Rotary jaw drive actuation
- Off-the-shelf components
- Minimal maintenance requirements
- Short film path
- Small machine footprint
- No tool changeover
- Manual film tracking
- VFD powered film unwind
- Quick film splice table
- Product stagers
- End-seal cooling air
- Bag deflators
- Photo eye and encoder
- Double guard door
- Runs most film structures
- Storage for 50 product recipes

OPTIONS:

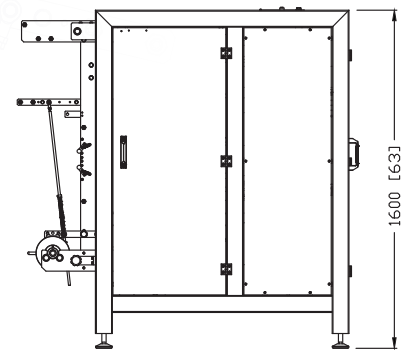
- Flat bottom bag assembly
- Gusset assembly
- Vacuum belts
- PE (poly) sealing jaws
- Degassing valve applicator
- Gas flush
- Static eliminator
- Automatic film tracking
- In-feed and take-away conveyors
- Load shelf
- Tear notch
- Hole punch
- Remote diagnostics
- Integration with variety of fillers, printers, metal detectors, label applicators, and checkweighers

E250 VIEWS:

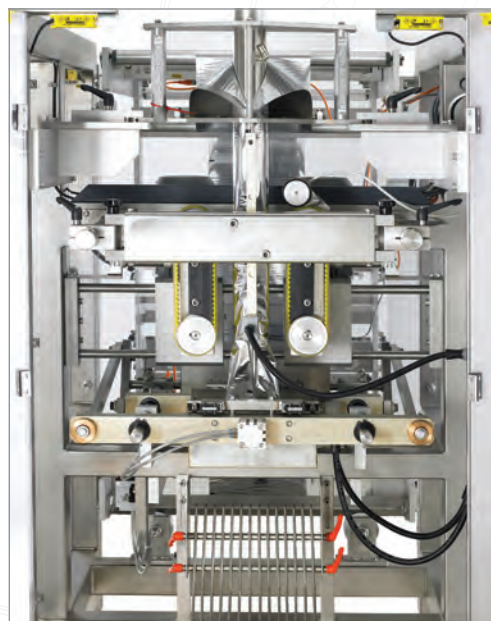
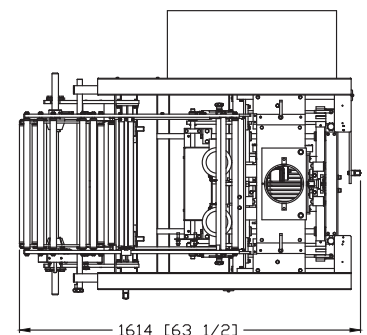
FRONT



SIDE



TOP



Standard views, dimensions may vary.